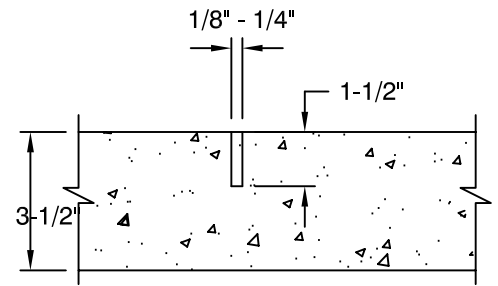
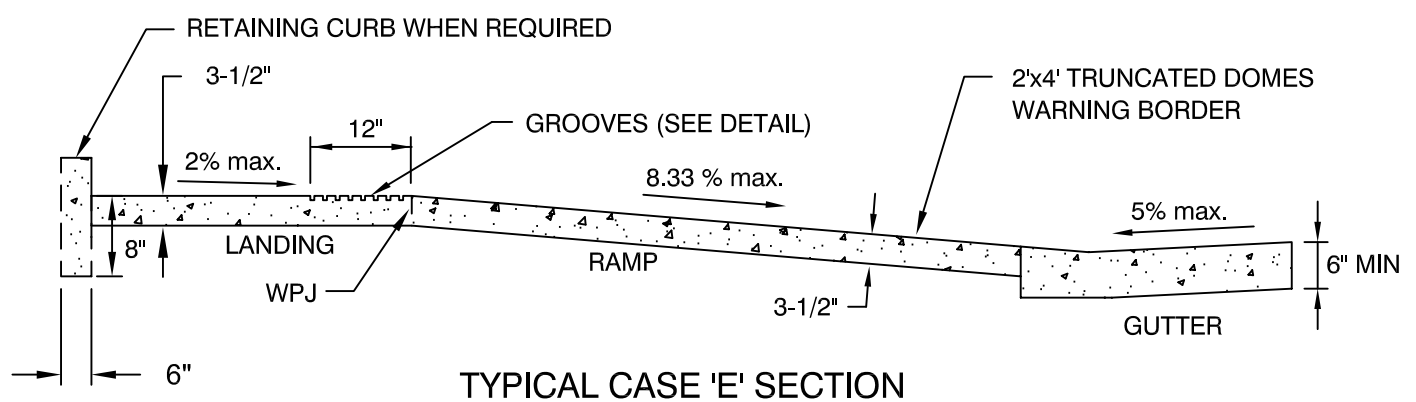


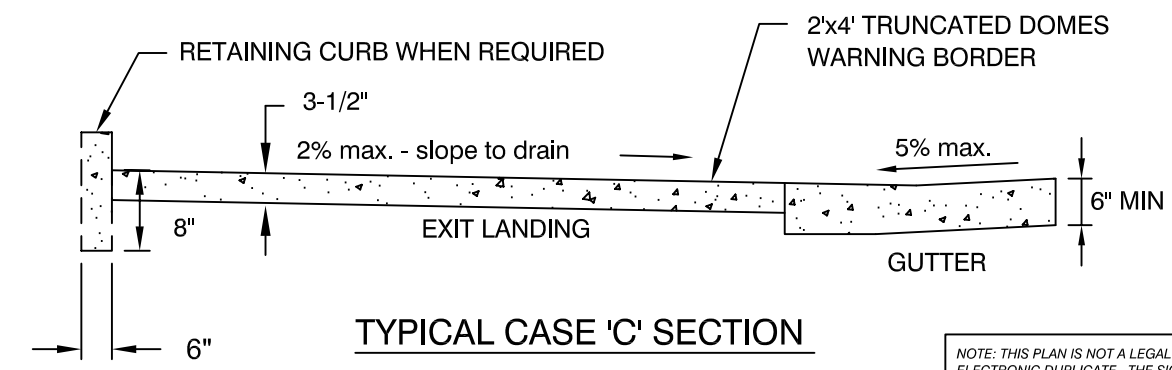
12" GROOVING DETAIL



WEAKENED PLANE JOINT (WPJ)



TYPICAL CASE 'E' SECTION



TYPICAL CASE 'C' SECTION

NOTE: THIS PLAN IS NOT A LEGAL ENGINEERING DOCUMENT BUT AN ELECTRONIC DUPLICATE. THE SIGNED CITY OF OAKLAND STANDARD DETAILS FOR PUBLIC WORKS CONSTRUCTION IS AVAILABLE FOR PURCHASE FROM THE CONTRACT ADMINISTRATION DEPARTMENT.

THIS SHEET IS FOR GUIDANCE ONLY. ALL CURB RAMPS SHALL BE CONSTRUCTED PER THE MOST RECENT EDITIONS OF THE AMERICAN WITH DISABILITIES ACT (ADA) AND THE CALIFORNIA TITLE 24 ACCESSIBILITY GUIDELINES

CITY OF OAKLAND

DESIGN AND CONSTRUCTION SERVICES DEPARTMENT



CURB RAMP DETAILS
SHEET 4 OF 6
TYPICAL SECTIONS

ENGINEERING DESIGN MANAGER	
DATE: OCTOBER 2002	DWG. S-6
REV. DATE: _____	